

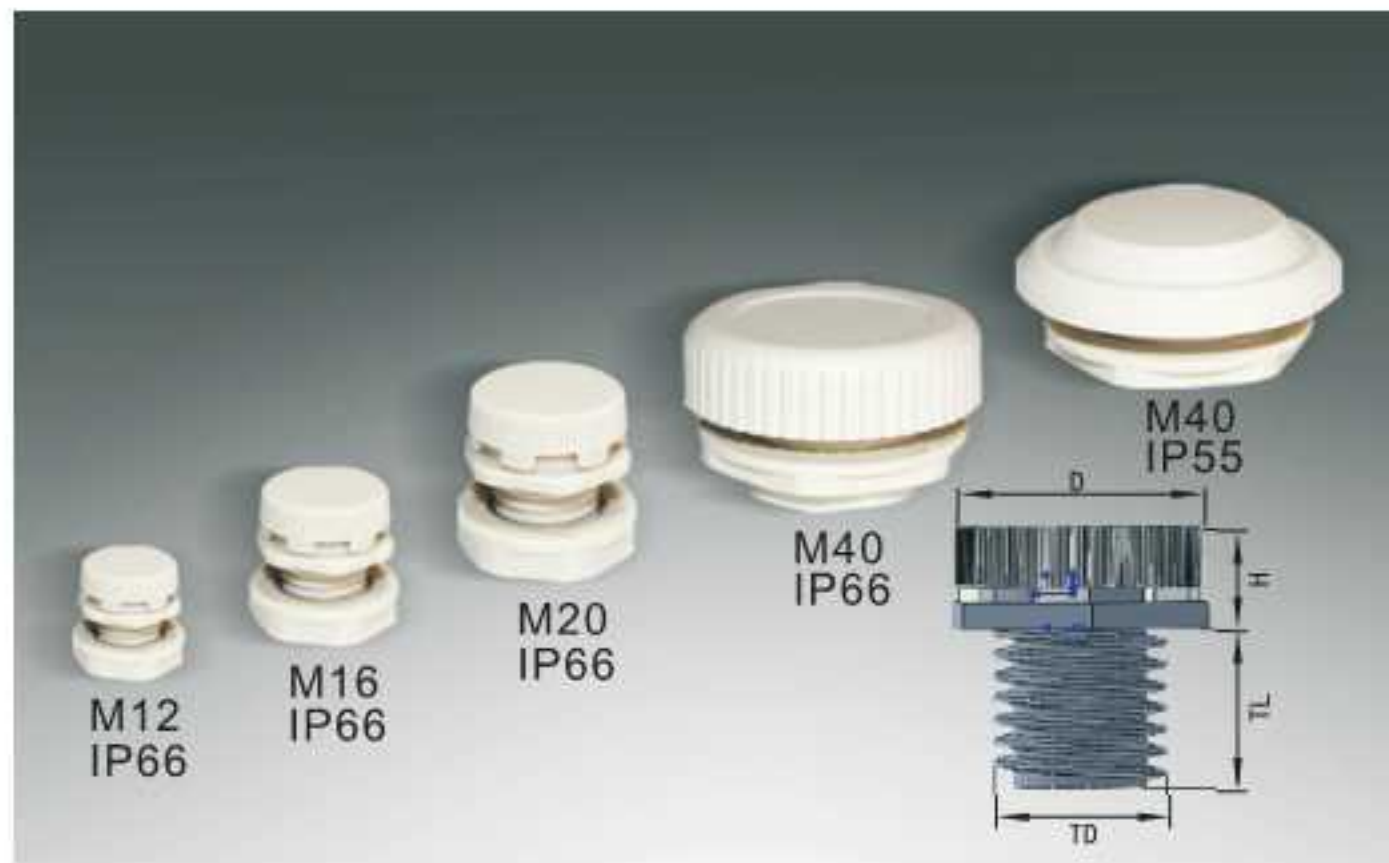
Air vent gland Drip joints

Air vent gland

In order to choose the right ventilation plug unit (pressure balance elements) for a specific application, the working principles of the unit must be known first.

Ventilation plugs are permeable to "gases and vapours, e.g. air" but impermeable to "liquids and dust, e.g. water". The permeability resistance to liquids depends on the pore size and structure of the membrane inside these devices.

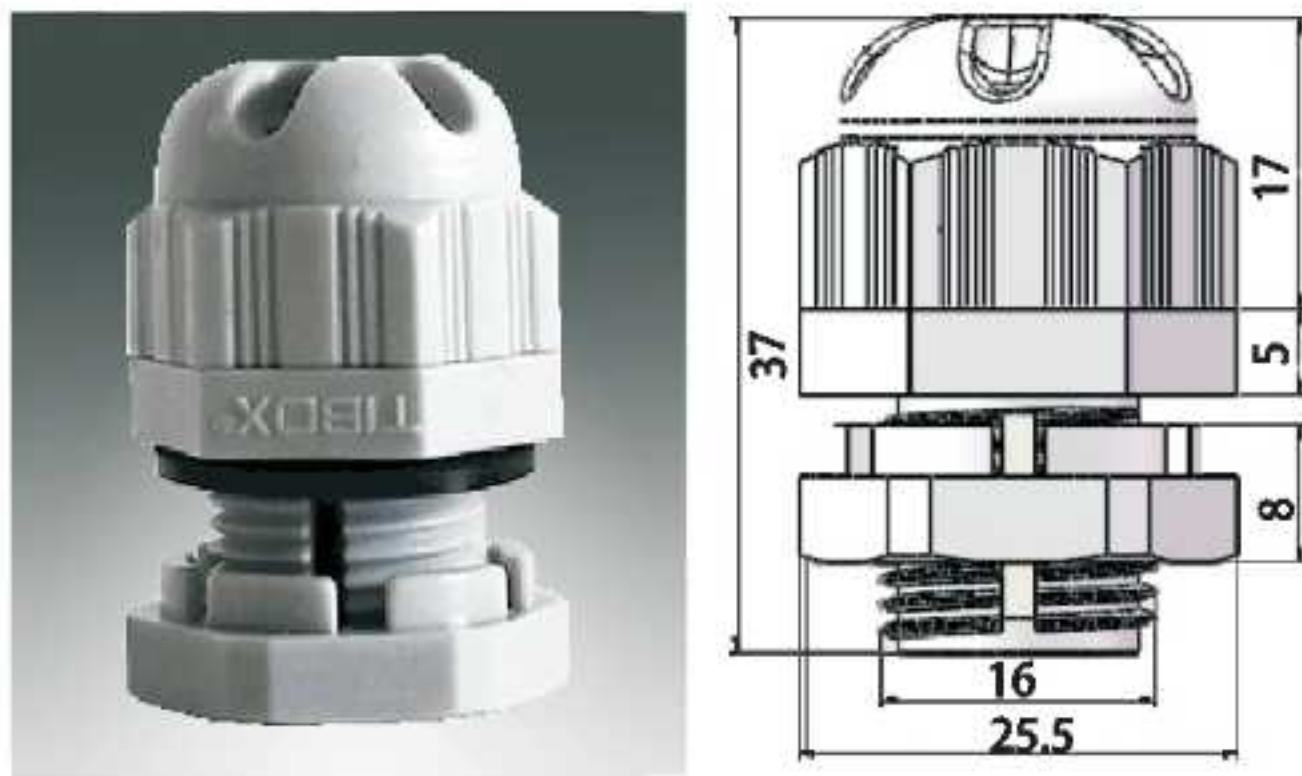
To conclude, the ventilation plug can reduce and even fully eliminate the adverse effects of humidity in the environment. Water drops on the bottom of the enclosure are normal, but the inherent damage becomes insignificant due to the existence of a ventilation plug.



air vent gland type	Thread size	Dimensions(mm)				Recom.Hole Diam(mm)	Protection degree
		TD	TL	H	D		
AVG-M12	M12*1.5	12.0	10.0	10.0	24.0	12.5	IP66
AVG-M16	M16*1.5	16.0	10.0	11.0	24.0	16.5	IP66
AVG-M20	M20*1.5	20.0	10.0	11.5	24.0	20.5	IP66
AVG-M40	M40*1.5	40.0	18.0	18.0	60.0	40.5	IP66
AVG-M40	M40*1.5	40.0	14.0	12.5	60.0	40.5	IP55



M16 drip joints



Condensate outlet:

Model:DJ-M16

Used to ensure that the condensate is drained from the inside and to ensure that it is not subject to external splashing water (maze). The required aperture of 16mm (have drillings at bottom).

Dropping amount:

Material: Nylon PA
Color: RAL7035
Protection level: according to the EN 60529/09.2000 installation, Protection level is IP55.

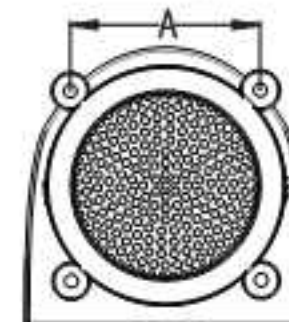


Air filter cover



Product characteristics

1. It is easy to exhaust heat of inside box to outside.
2. It is easy to install cooling pan inside the box.
3. It is designed to prevent the penetration of rain.



Model and size

Article NO.	A	Processing size	Ventilation fan size
BC-V 60	60±0.3mm	63-65 φ	60 φ
BC-V 80	70±0.3mm	88-90 φ	80 φ

