

Aluminum terminal block enclosure

LPV/LPN series aluminum terminal block enclosure



The LPV / LPN series aluminum terminal block enclosure is aluminum alloy, and the side panel material is corrosive engineering plastic, which has the characteristics of corrosion resistance and high strength.

Can be used with button products, used in petroleum, chemical, metallurgical and other high dust, weak acid alkali corrosion occasions. It can also be used as a control box for industries such as power transmission and distribution lighting.

The default is 16-22MM aperture, single or porous. The aperture and number of holes can be customized according to customer needs. Side panel types are available with and without lugs.

The aluminum shape is (width) 45* (height) 45, and the length and aperture are available.

Hole size	Hole no.	With ear	Size of box	No ear	Size of box
16mm	1	LPV-Q1-16	90.5 X45X50mm	LPN-Q1-16	67X45X45mm
16mm	2	LPV-Q2-16	123.5X45X50mm	LPN-Q2-16	100X45X45mm
16mm	3	LPV-Q3-16	156.5X45X50mm	LPN-Q3-16	133X45X45mm
16mm	4	LPV-Q4-16	189.5X45X50mm	LPN-Q4-16	166X45X45mm
16mm	5	LPV-Q5-16	222.5X45X50mm	LPN-Q5-16	199X45X45mm
19mm	1	LPV-Q1-19	90.5 X45X50mm	LPN-Q1-19	67X45X45mm
19mm	2	LPV-Q2-19	123.5X45X50mm	LPN-Q2-19	100X45X45mm
19mm	3	LPV-Q3-19	156.5X45X50mm	LPN-Q3-19	133X45X45mm
19mm	4	LPV-Q4-19	189.5X45X50mm	LPN-Q4-19	166X45X45mm
19mm	5	LPV-Q5-19	222.5X45X50mm	LPN-Q5-19	199X45X45mm
22mm	1	LPV-Q1-22	90.5 X45X50mm	LPN-Q1-22	67X45X45mm
22mm	2	LPV-Q2-22	123.5X45X50mm	LPN-Q2-22	100X45X45mm
22mm	3	LPV-Q3-22	156.5X45X50mm	LPN-Q3-22	133X45X45mm
22mm	4	LPV-Q4-22	189.5X45X50mm	LPN-Q4-22	166X45X45mm
22mm	5	LPV-Q5-22	222.5X45X50mm	LPN-Q5-22	199X45X45mm



Install the effect



45° installation



Model: WL02

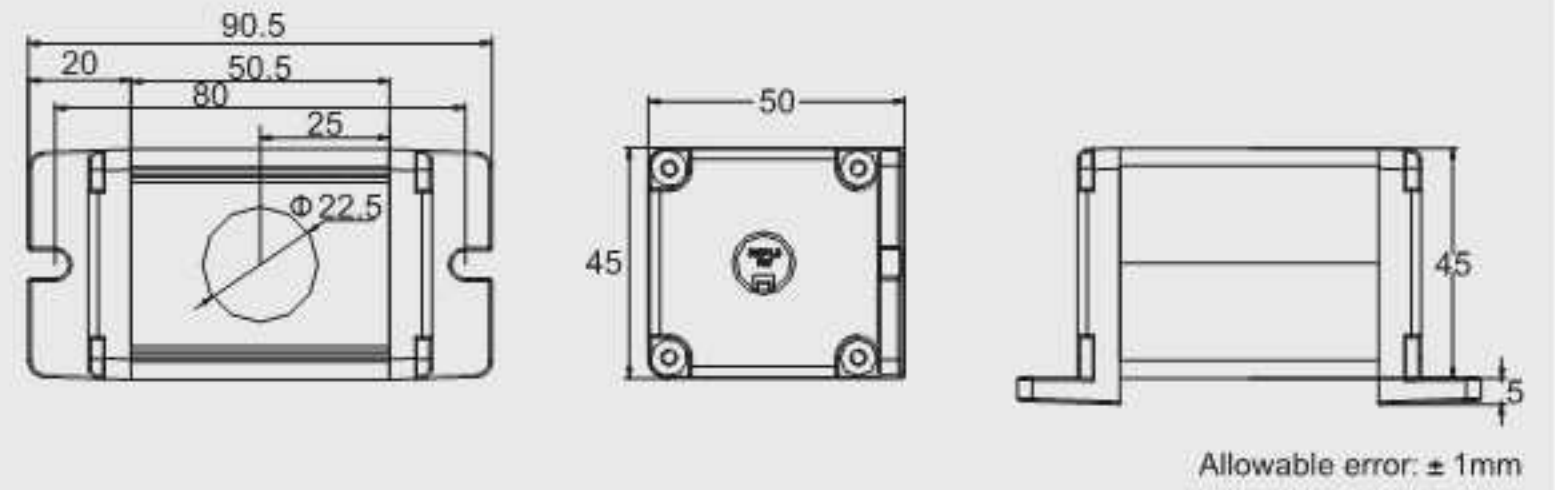


Aluminum terminal block enclosure



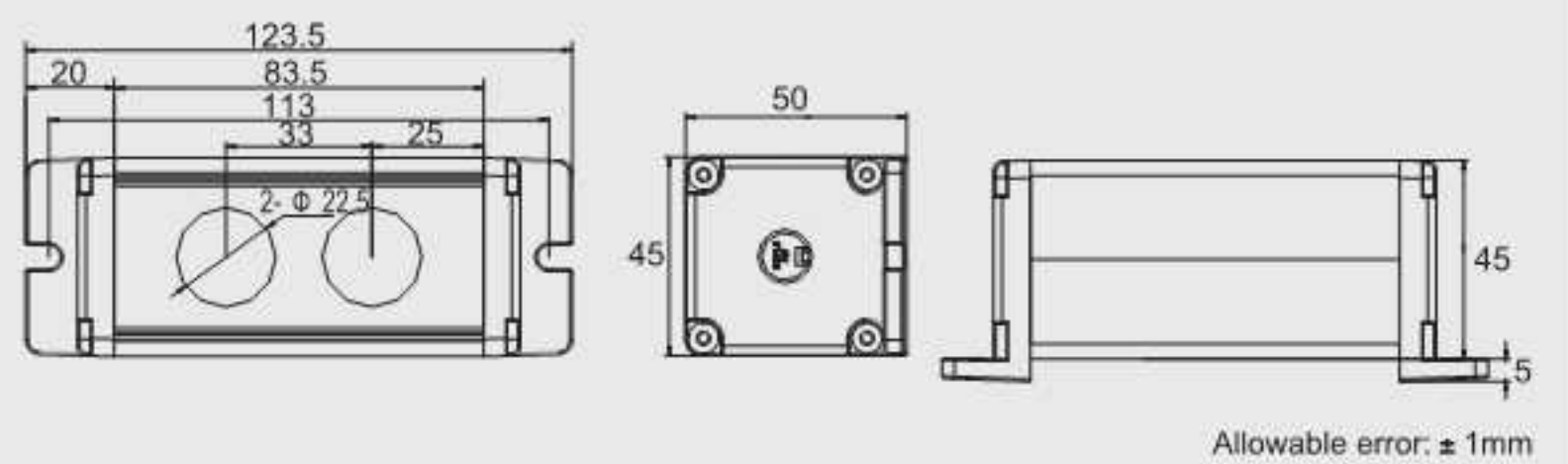
Model:LPV-Q1

Box size:90.5X45X50mm



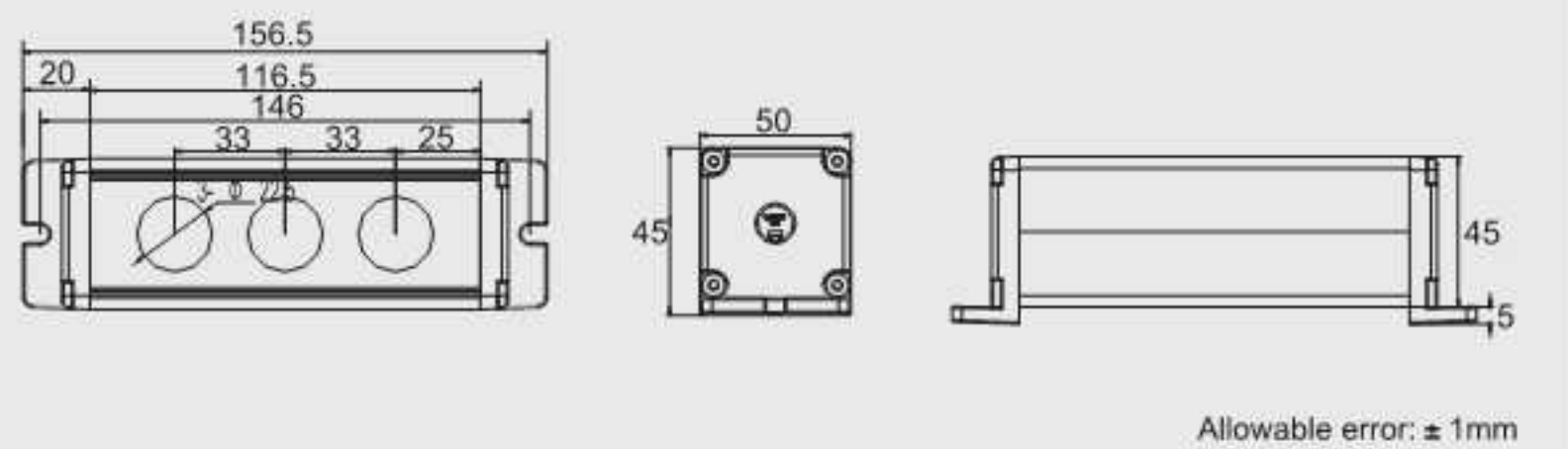
Model:LPV-Q2

Box size:123.5X45X50mm



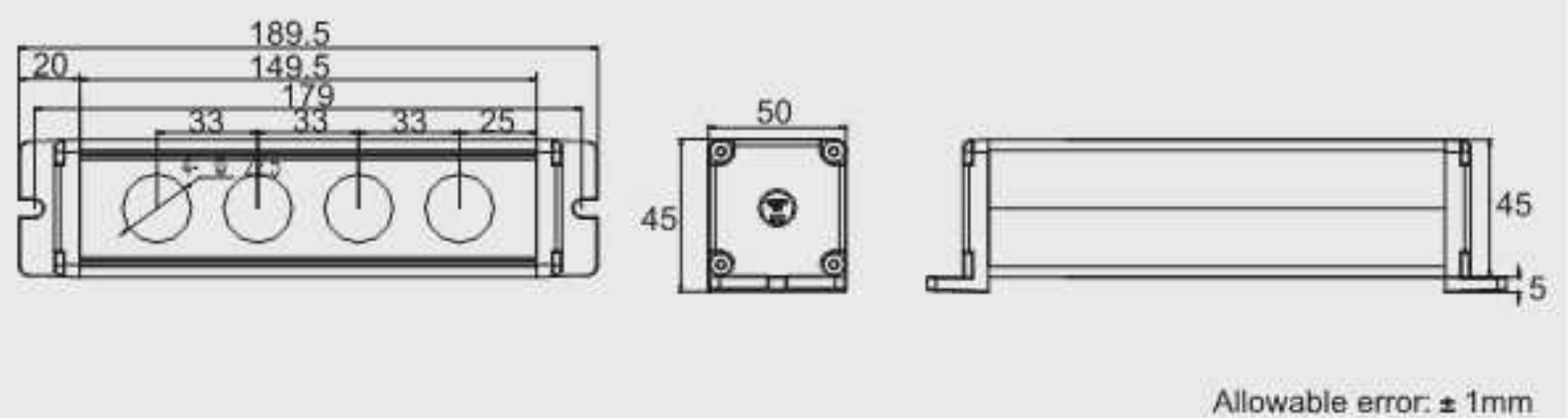
Model:LPV-Q3

Box size:156.5X45X50mm



Model:LPV-Q4

Box size:189.5X45X50mm



Model:LPV-Q5

Box size:222.5X45X50mm

