

Polyester enclosure

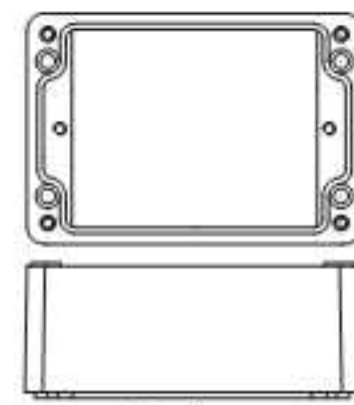
PSM series polyester box

Out of the polyester boxes which are selling at present, it's ability and working efficiency, the competitive power is much higher with the low price same as the level of steel box. The products were added the electromagnetic interference(EMI) and prevent substance of the static electricity, and the strong point was given to the relevant mechanical protection of electricity, electron and etc.

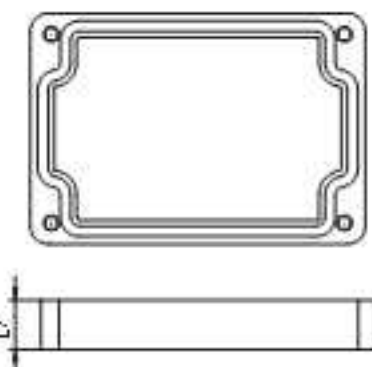
Temperature range:-40 to +120°C SMC:Fiber glass(body) SMC:Fiber glass(cover)



Screw type	Dimension(mm)		Mounting plate
	W X H X D	D1+D2	
Grey door			Metal
PSM-0708	80×75×55	40 + 15	TJ-0708
PSM-0711	110×75×55	40 + 15	TJ-0711
PSM-1212	122×120×90	65 + 25	TJ-1212
PSM-1616	160×160×90	70 + 20	TJ-1616
PSM-1626	160×260×90	70 + 20	TJ-1626
PSM-2525	250×250×120	95 + 25	TJ-2525
PSM-2540	250×400×120	95 + 25	TJ-2540



Body



Cover + body



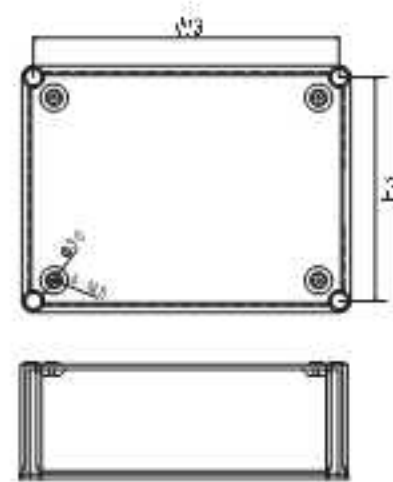
PSG,PST series polyester enclosure

Out of the polyester boxes which are selling at present, it's ability and working efficiency, the competitive power is much higher with the low price same as the level of steel box. The products were added the electromagnetic interference(EMI) and prevent substance of the static electricity, and the strong point was given to the relevant mechanical protection of electricity, electron and etc.

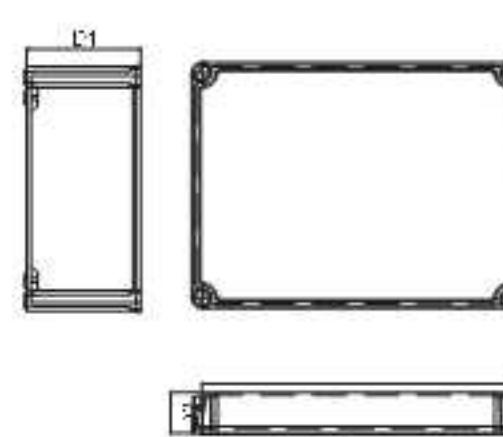
Temperature range:-40 to +120°C SMC:Fiber glass(body) PC:Poly Carbamate(cover)



Screw type		Dimension(mm)		Mounting plate	Installation size(mm)	
Grey door	Clear door	W X H X D	D1+D2		W3	H3
PSG-2718	PST-2718	270×180×170	125 + 45	TJ-2718	265	155
PSG-3627	PST-3627	360×270×170	125 + 45	TJ-3627	355	245



Body



Cover



Steel mounting plate

Sculpt processing service



TIBOX Inc. meet on customer's variety of request by a sophisticated hole processing technology on the basis of accumulated experience.



A vivid silk-screen printing and letter sculpting service make your product outstanding.



According to customer needs, providing a variety of programs, the development of non-standard client.

